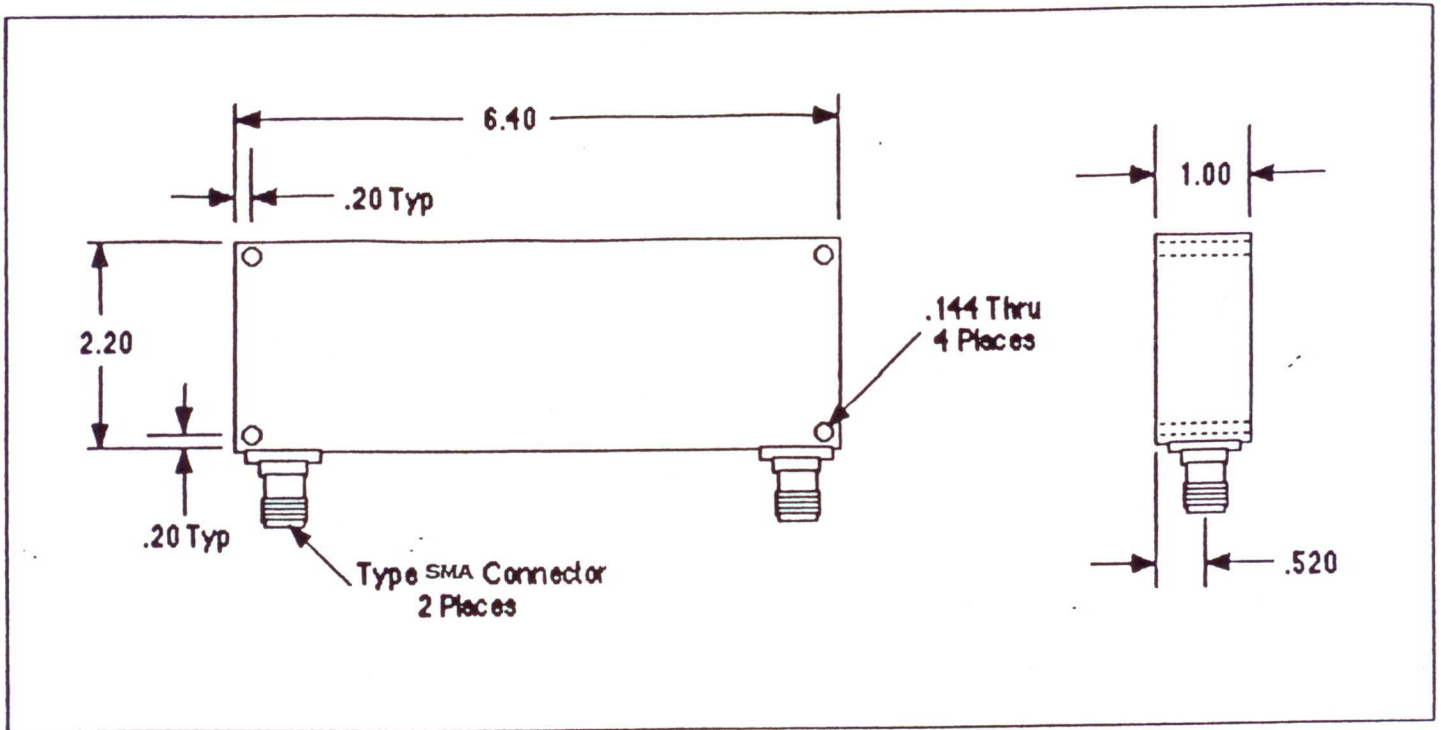


# TECHNICAL SPECIFICATIONS

FBV-179D

BANDPASS FILTER



## SPECIFICATIONS

Frequency	1245-1355 MHz
Insertion Loss	0.6 dB max.
VSWR	1.5:1 max.
Rejection	50 dB min. @ 1150 MHz 50 dB min. @ 1450 MHz
Temperature	-20°C to +65°C
Altitude	to 200,000 ft.
Vibration	0.1 g <sup>2</sup> /Hz 10-20,000 Hz
Acceleration	100 g
Shock	200 g, 1 ms

## METROPOLE PRODUCTS, INC.

Metropole Products, Inc., P.O. Box 309, Stafford, Virginia 22555  
540-659-2132/Voice 540-659-2133/Fax

Rev. 8/2001