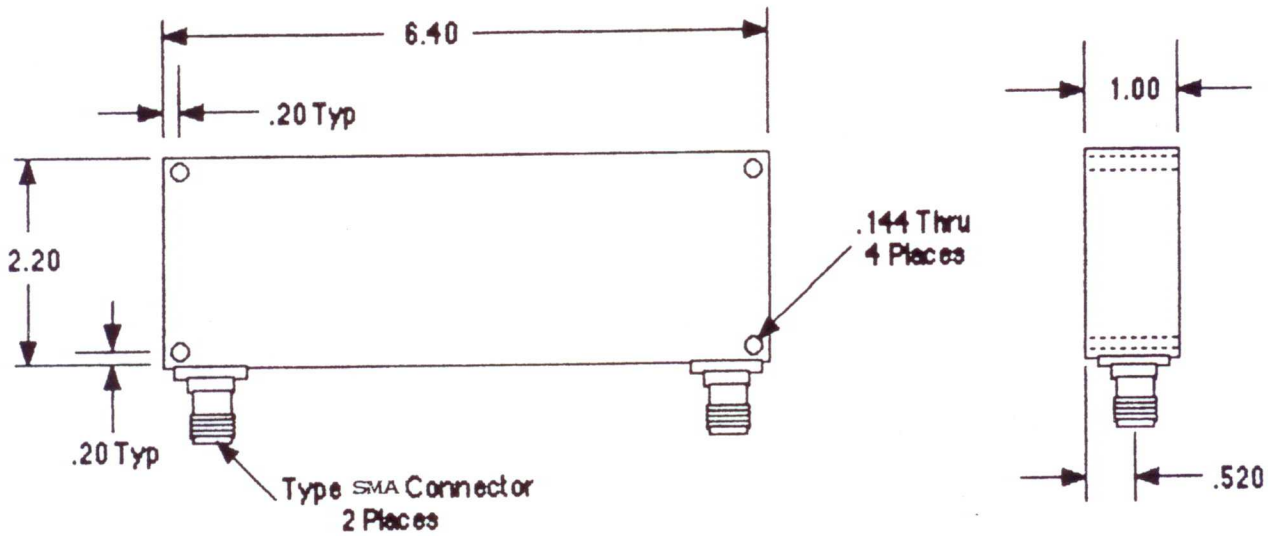




TECHNICAL SPECIFICATIONS

FBV-203D
BANDPASS FILTER



Frequency	1215-1335 MHz
Insertion Loss	0.6 dB maximum
VSWR	1.5:1 maximum
Rejection	50 dB min. @ 1125 MHz 50 dB min. @ 1425 MHz
Temperature	-20° C to + 65° C
Altitude	to 200,000 ft.
Vibration	0.1 g ² /Hz 10-20,000 Hz
Acceleration	100 g
Shock	200 g 1ms

METROPOLE PRODUCTS, INC.

Metropole Products, Inc., P.O. Box 309, Stafford, Virginia 22555
540-659-2132/Voice 540-659-2133/Fax

Rev. 9/2005