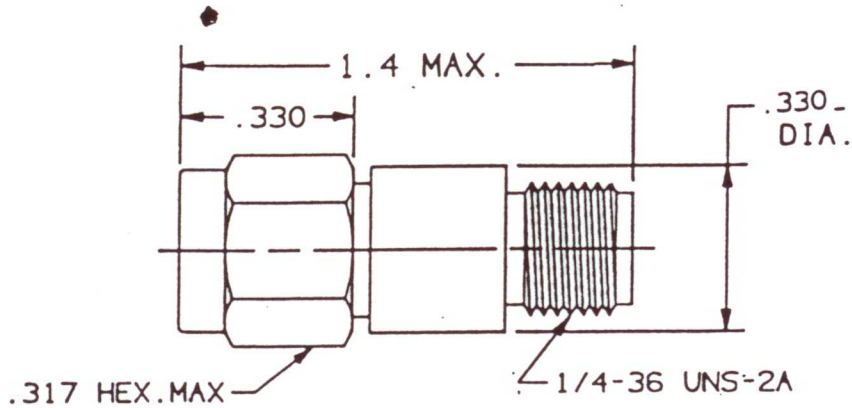




TECHNICAL SPECIFICATIONS

FHC-21S

D.C. BLOCK



D.C. Blocks are generally used to prevent D.C. voltages from damaging susceptible RF circuitry. The units cover a range from below 1 MHz to a minimum of 10 GHz. Low insertion loss and good VSWR are features of these units.

SPECIFICATIONS

Frequency Range	1 MHz to 10 GHz
Insertion Loss	0.25 dB Max.
VSWR	1.25:1 Max.
Voltage	100 Volts
Length	1.4 inches
Diameter	.33 inches

Rev. 7/99

METROPOLE PRODUCTS, INC.

Metropole Products, Inc., P.O. Box 309, Stafford, Virginia 22555
540-659-2132/Voice 540-659-2133/Fax