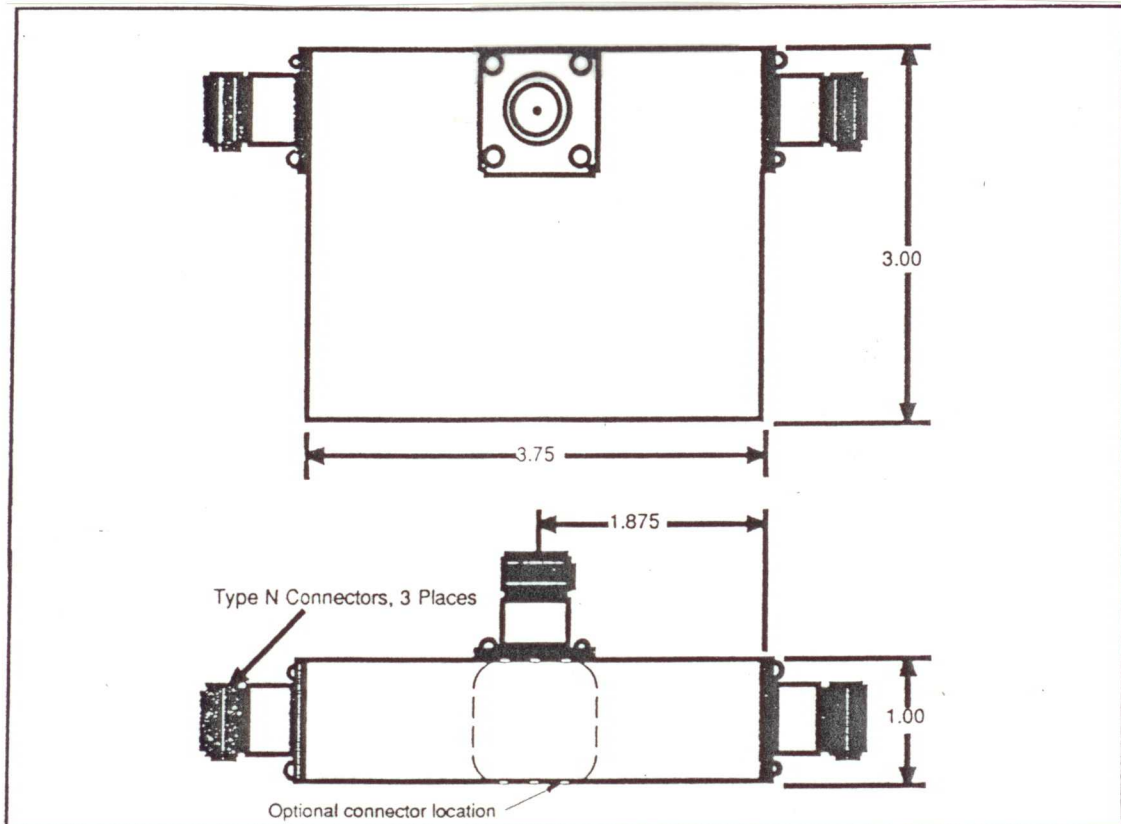




TECHNICAL SPECIFICATIONS

FMA-287A
UHF-GPS DIPLEXER



UHF

Frequency 200-400 MHz
Insertion Loss 0.4 dB max.
Isolation 60 dB min.
VSWR 1.5:1 max.
Power 250 Watt.

GPS

Frequency, 950-1100, 1210-1240, 1560-1600 MHz
Insertion Loss 0.7 dB max.
Isolation 60 dB min.
VSWR, 950-1600: 1.8:1 max.
Power @ .05% Duty Cycle 2 KW peak

METROPOLE PRODUCTS, INC.

Metropole Products, Inc., P.O. Box 309, Stafford, Virginia 22555
540-659-2132/Voice 540-659-2133/Fax

Rev. 8/2004