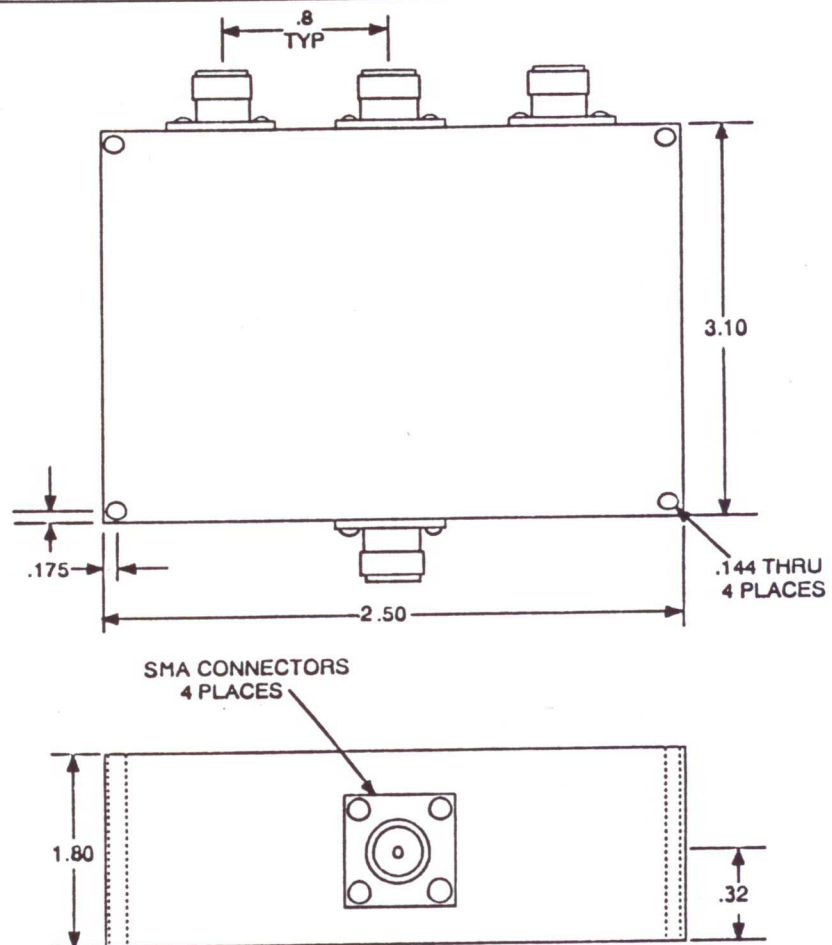


BROADBAND  
TRIPLEXER

# TECHNICAL DATA

TRIPLEXER  
Model FMA-341N



TRIPLEXER MODEL FMA-341N

Frequency - CH A	- DC-600 MHz
CH B	- 700-1.7 GHz
CH C	- 2.0-3.0 GHz
Isolation Between Channels	- 40 dB min.
Insertion Loss/Channel	- 1.5 dB
VSWR	- 2.0 max
Connector	- SMA
Isolation to 15 GHz	- 50 dB min.



*Metropole Products Inc.*

P.O. BOX 309 • STAFFORD, VA 22554