

MPI

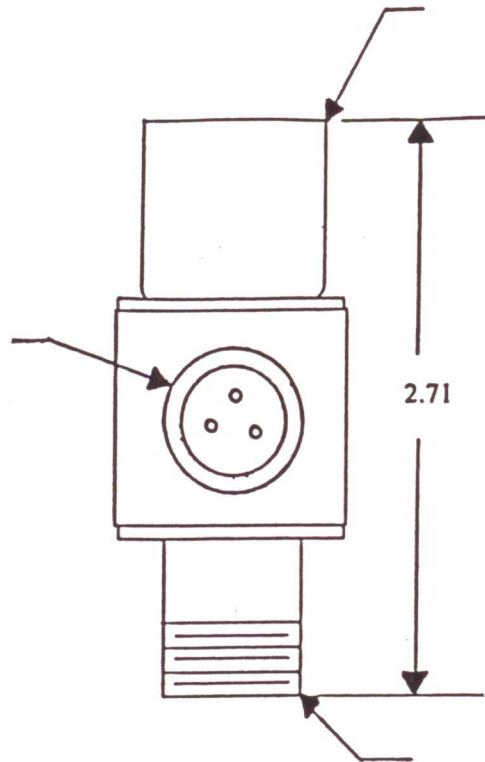
TECHNICAL SPECIFICATIONS

FTP-14BR

Type N-male
RF and DC

BIAS TAP

DC Bias Connector
MS3102R10SL-3P



Weight: 5 oz.

2.71

Type N-female
RF

The FTP-14BR Bias Tap is used to provide a DC path to one side of a 50 Ohm transmission line. An integral blocking capacitor isolates the DC from the other side of the line.

Frequency Range	50 – 512 MHz
Insertion Loss	0.2 dB maximum
VSWR	1.3:1 maximum
RF Power	200 W CW
DC Resistance	1 Ohm maximum
DC Voltage	200 Volts maximum
DC Current	700 mA maximum

METROPOLE PRODUCTS, INC.

Metropole Products, Inc., P.O. Box 309, Stafford, Virginia 22555
540-659-2132/Voice 540-659-2133/Fax

Rev.07/06